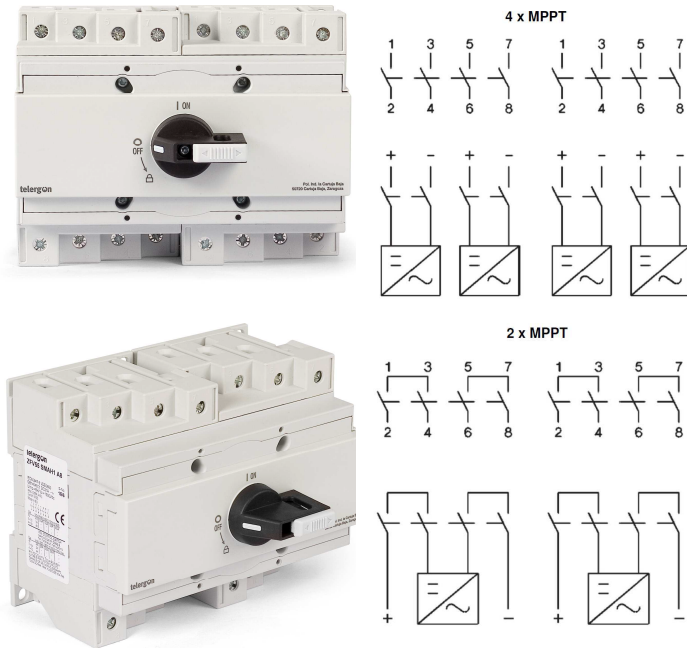


DC-Load break switch ZFV55 SMAH1 A8



Electrical data (according to IEC60947-3)

Voltage (DC)	Category	I _e (2x)	I _e (4x)
500 V	DC-PV1	55	55
600 V	DC-PV1	55	55
700 V	DC-PV1	55	55
800 V	DC-PV1	55	55
900 V	DC-PV1	55	43
1000 V	DC-PV1	55	36
1200 V	DC-PV1	55	17
1500 V	DC-PV1	55	10

Electrical data (UL508i)

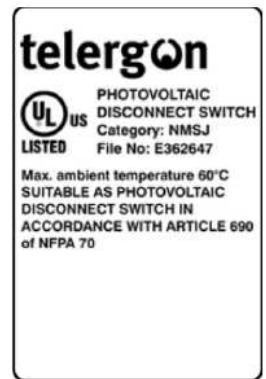
Voltage (DC)	Category	I _e (2x)	I _e (4x)
500 V	General use	55	55
600 V	General use	55	55
700 V	General use	55	46
800 V	General use	55	37
900 V	General use	55	28
1000 V	General use	55	20

**** sample photo is direct handle.**
Standards. IEC 60947-1 & 3 & UL508i

Links. ZFV-B2. ** required for 2 MPPT solution. (2 references)

Quality Telergon, S.A.U.

ISO 9001 & 14001

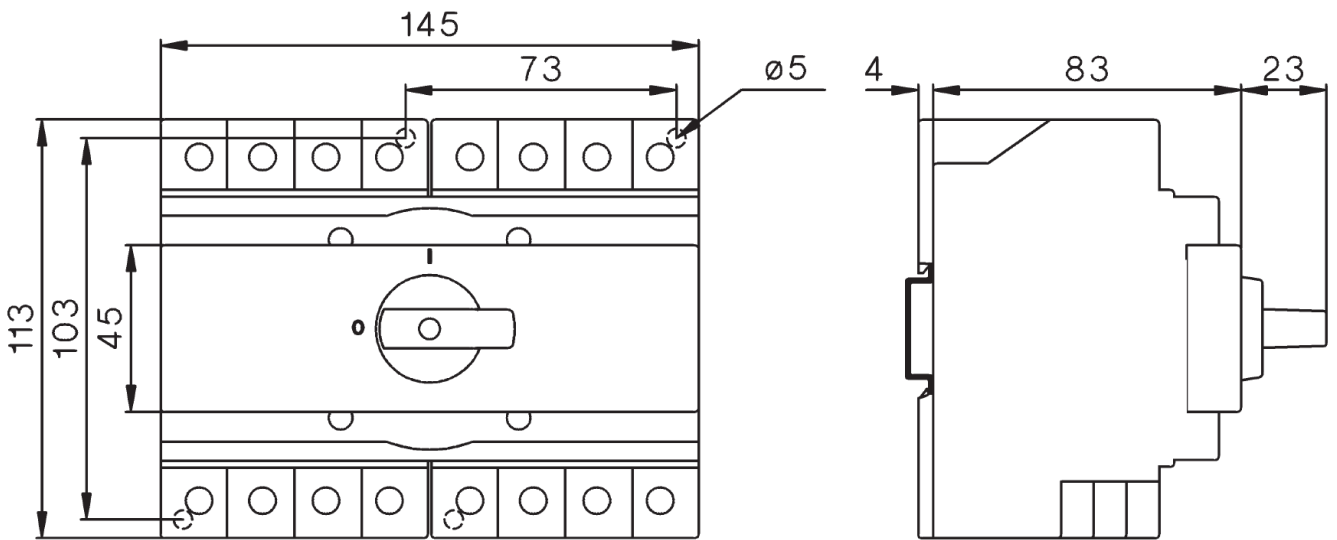
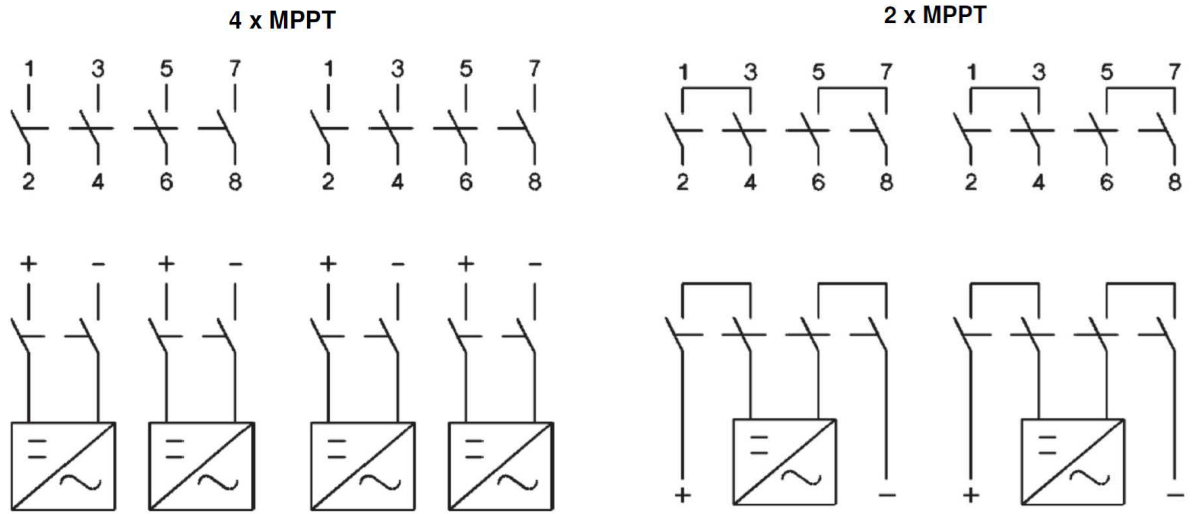


Technical data:

Maximum cable cross sections		
Solid or stranded	mm 2	2,5-25
Flexible	mm 2	4-16
Size of terminal screw		M5 Pz2
Tightening torque	Nm	2,5 – 3
Rated conditional short-circuit current	kAeff	5
Max fuse size gL (gG)	A	125

In our web site www.jdauspice.com you will find detailed information about our products

	DC Switch-Disconnecter ZFV55 SMAH1 A8	3F., No.288, Sec. 2, Zhonghua Rd., Xinzhuang Dist., New Taipei City 24246, Taiwan R.O.C.
--	--	---



In our web site www.jdauspice.com you will find detailed information about our products

	<p>DC Switch-Disconnecter ZFV55 SMAH1 A8</p>	<p>3F., No.288, Sec. 2, Zhonghua Rd., Xinzhuang Dist., New Taipei City 24246, Taiwan R.O.C.</p>
--	--	---